

SPL 12

Speaker Specifications

Power	Pe	2 x 900/1350	RMS/Nom
DC resistance	Rdc	2 x 1,2	Ω
Nominal impedance	ZN	2 x 1	Ω
Resonance frequency	fs	38,8	HZ
Voice coil diameter (flat wire)		4	inch
X-Max	+ / -	20	mm

Mechanical Q factor	Qms	5,48
Electrical Q factor	Qes	0,43
Total Q factor	Qts	0,40

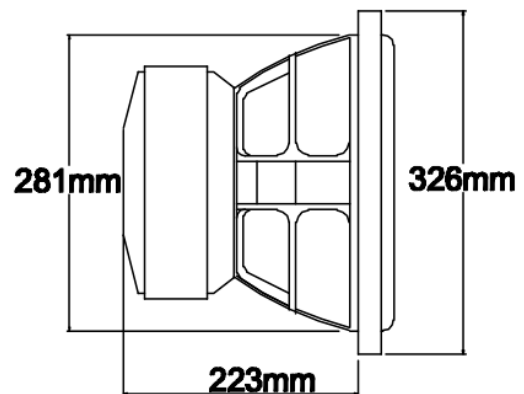
Moving mass	Mms	263,9	g
Effective piston area	Sd	490	cm ²
Mechanical resistance	Rms	11,8	Kg/s
Compliance	Cms	0,06	mm/N
Force factor	BL	17,4	Tm
Equivalent air volume	Vas	25,1	dm ³
SPL 2,83V/1m		91	dB

Cone: Fiberglass	Spider: Nomex
Surround: Foam	Coil former: Aluminium
Basket: Aluminium	Dust cap: Fiberglass



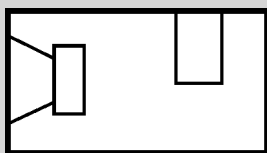
Diameter

External diameter	326 mm / 12,83 inch
Installation diameter	281 mm / 11,06 inch
Installation depth	223 mm / 8,78 inch
Magnet diameter	230 mm / 9,06 inch



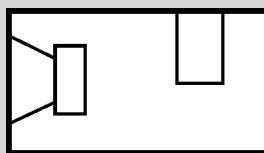
Recommended Boxes (including Ports and Drivers)

Vented Box



V: 65 l
 ft: 45 Hz
 d: 100 mm / 3,94 inch
 l: 140 mm / 5.51 inch

Vented Box



V: 75 l
 ft: 47 Hz
 d: 2x 100 mm / 3,94 inch
 l: 200 mm / 7.87 inch